

iCON

BESS for C&I

All-in-One Cabinet

SU215E100LM



**New
2024**

Highlights

- 100kW converter and 215kWh battery
- Flexible layout up to 5 cabinets in parallel
- Turnkey solution with PCS and batteries in one cabinet

System Features



Plug-and-Play



No external PCS



No BCP needed



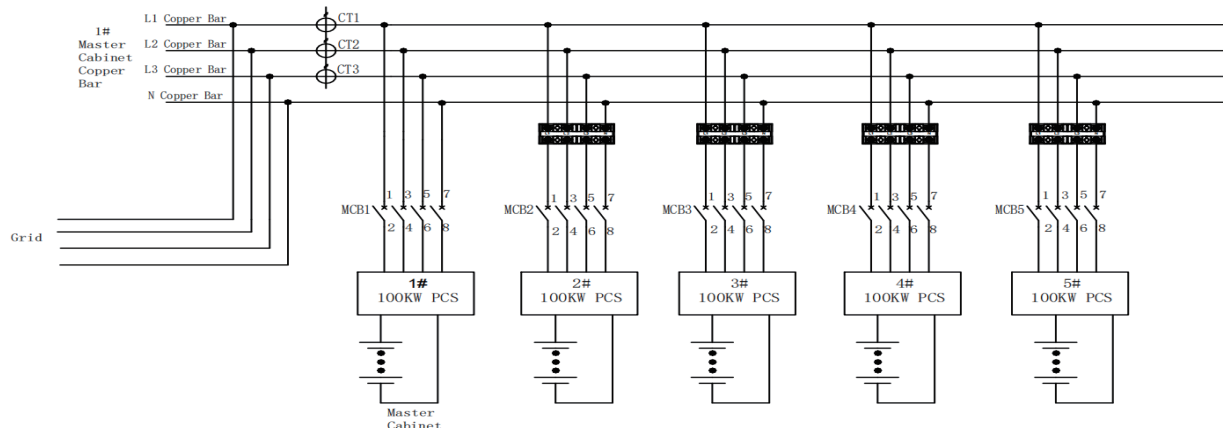
Liquid-cooled



Up to 5 cabinets



Flexible layout



Technical Specifications

| | |
|----------------------------------|---|
| System Model | SU215E100LM |
| System Information | |
| Nominal Power | 100kW |
| Nameplate Capacity | 215kWh |
| Battery Information | |
| Battery Chemistry | LFP |
| Capacity | 280Ah |
| Configuration | 240S1P |
| Nominal Voltage | 768V |
| Voltage Range | 672~864V |
| Charge and Discharge Rate | ≤0.5 |
| Depth of Discharge | 98% |
| PCS Information | |
| Nominal Power | 100kVA |
| Operating Mode | Support Grid-Connected & Off-Grid Operation |
| Nominal Grid / Islanding Voltage | 400Vac |
| Power Factor | -1 to 1 |
| Nominal Grid Frequency | 50Hz |
| Isolation | No Isolation |
| Connection Method | 3P4L |
| Working Conditions | |
| Degree of Protection | IP55 |
| Noise Emission | ≤75dB @1M |
| Operating Temperature Range | -25°C~45°C |
| Relative Humidity | 0~95% (Non-Condensing) |
| Max.Working Altitude | 3000m |
| System Information | |
| Dimensions(W×H×D) | 1000×2500×1350mm |
| Weight | 2500kg |
| Cooling | Intelligent Liquid Cooling |
| PCS Cooling | Forced Air Cooling |
| Fire Suppression System | Aerosol+Water |
| Communication Protocol | CAN/485 |
| Certification | UL1973, UL9540A, IEC62619, IEC61000, GB/T36276, 62933 |



C&I Sales Manager - Stacy Si

 ciess@risenenergy.com